

ASSEMBLY INSTRUCTIONS

DESCRIPTION : WESTDEN 6-DRAWERS DRESSER *LIGHT GREY/
WESTDEN MIRROR *LIGHT GREY





MODEL : 821-115
821-116

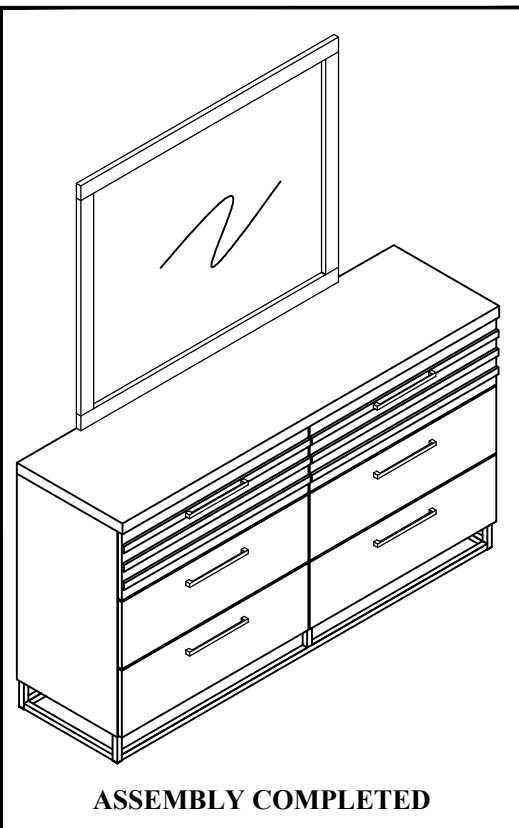
REVISION : A

Component List

No	Descriptions	Qty
A	Mirror	1
B	Dresser	1
C	Mirror Support	2

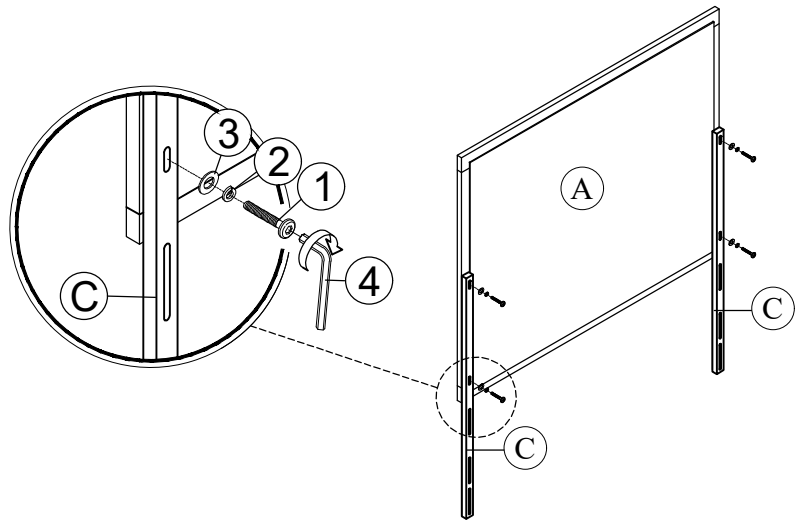
Hardware List

No	Descriptions	Qty
1	JCBC M6 x 35mm 	8
2	Spring Washer Ø1/4" 	8
3	Flat Washer Ø1/4" x 20mm 	8
4	L Key M4 x 65mm 	1



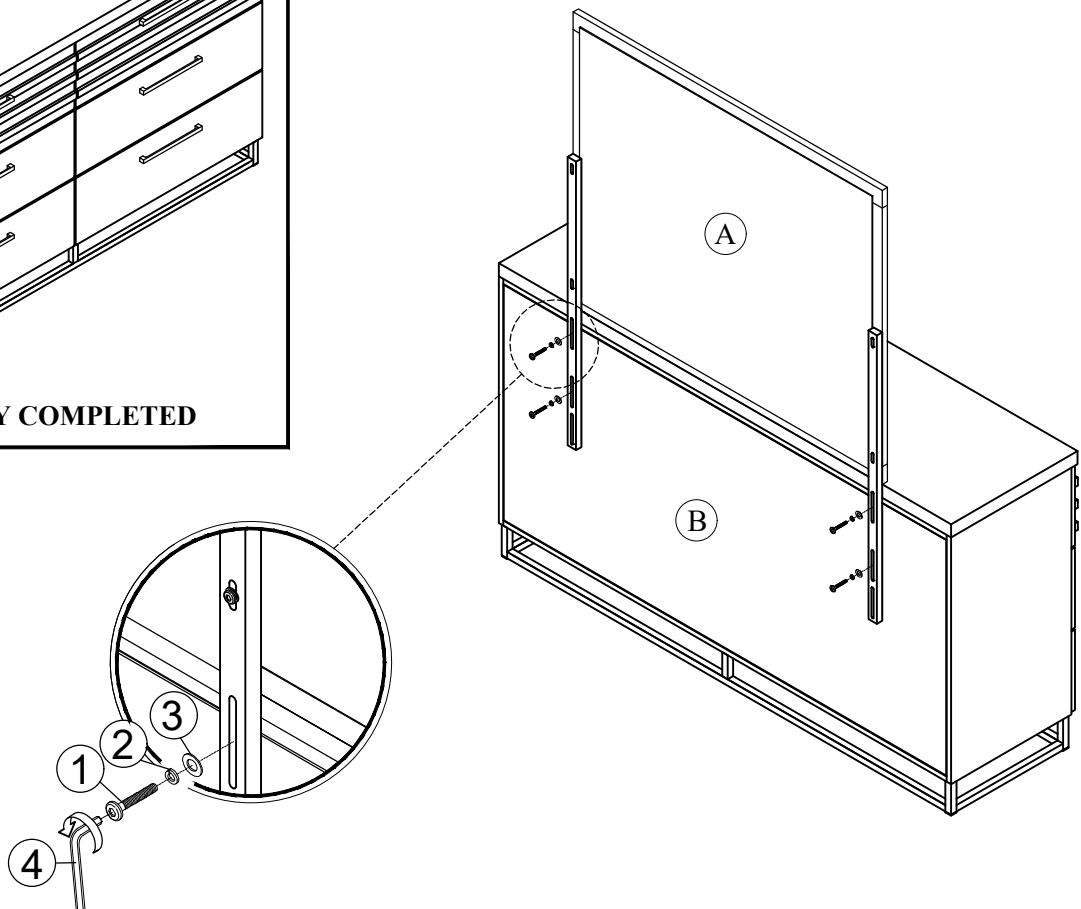
STEP 1

Attach Mirror Support (C) to the Mirror (A) back, then tighten with JCBC screw (1), Spring washer (2) and Flat washer (3) and fully tighten with L Key (4).



STEP 2

Place the mirror with support on the top of Dresser (B). Then align center as shown and tighten with JCBC screw (1), Spring Washer (2), Flat Washer (3). Tighten using L Key M4 (4).



NOTE : MUST TIGHTEN SCREWS PERIODICALLY WITH USE SCREW WILL BECOME LOOSE.
CHECK TIGHTNESS OF ALL SCREW EVERY 6-8 WEEKS.